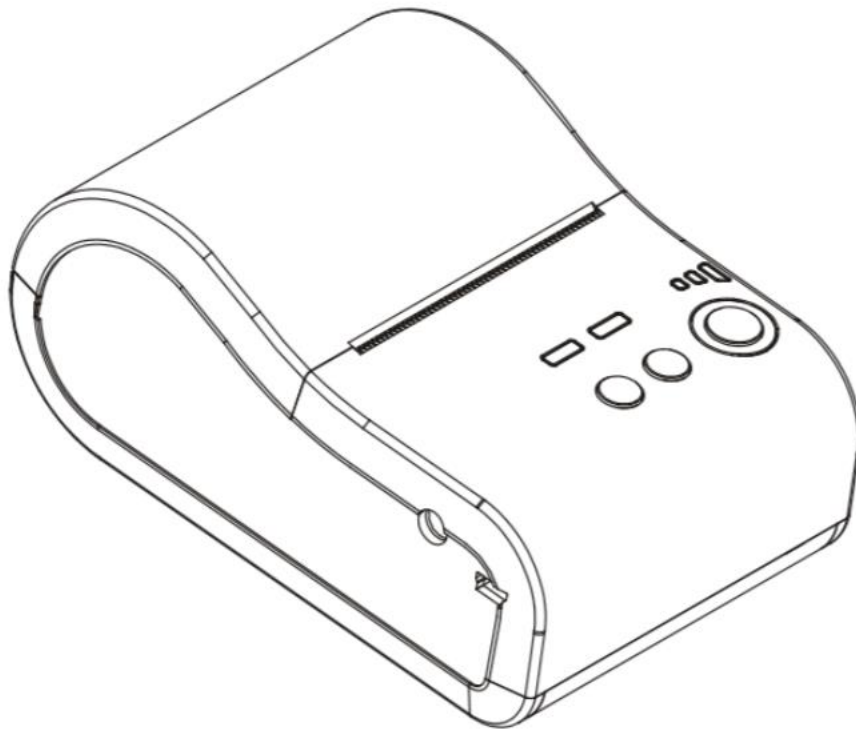


MOBILE THERMAL PRINTER

User Manual



PRECAUTIONS

1. Safety Precautions

- 1) Be sure to use the specified battery and power supply provided by our company.
- 2) Connection to an improper power supply may cause burning, explosion or damage to printer.
- 3) Don't put the battery into fire or water, don't disassemble or modify the battery, don't be short circuit, otherwise may result in injury or even fire explosion.
- 4) If the printer would not be used for a long time, be sure to take off the battery, otherwise the battery may leak liquid which is corrosive. If improper operation causes battery leak, and the liquid is spattered on the skin or clothes, please wash it with water. if spattered into eyes, please rinse them with water thoroughly and soon see a doctor.
- 5) Please do not open the paper case cover while it is printing or just when printing is over, do not touch the print head with hand or body, overheat may cause scald.

2. Operation Precautions

- 1) Water or other liquid should not spill into the printer, also the printer should not be exposed in rain or else may cause printer damage.
- 2) Please do not open the paper case cover when it is printing, otherwise the printer may work improperly.
- 3) When printing with Bluetooth interface, the communication distance should be within 10 meters, otherwise the printer doesn't print or it will print rubbish codes.
- 4) Too high (50°C) or too low (-5°C) temperature and too high (80%) or too low (25%) relative humidity both will affect the printing quality.
- 5) The thermal paper in poor quality or stored for too long time also may reduce the printing quality or even damage the printer.

3. Storage Precautions

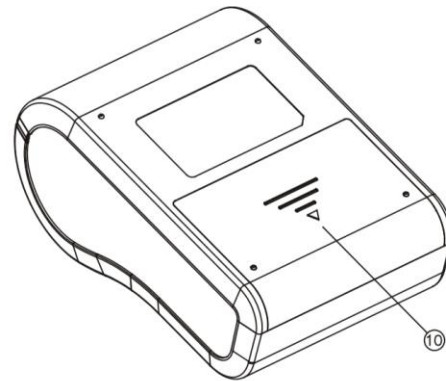
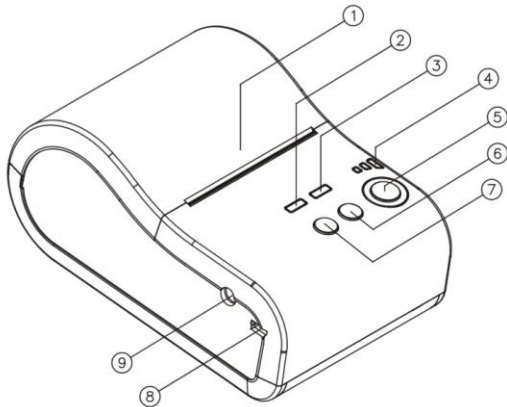
- 1) The printer should be placed in such an environment that the temperature is between -20°C to 70°C, and the relative humidity is within 5% to 95%.
- 2) If the printer will be stored for a long time, please be sure to take out the battery, otherwise may damage the battery and printer.
- 3) Normal thermal paper can't be kept too long, if you need to keep the receipt for a long period, please choose long term effective thermal paper.
- 4) The thermal paper should be keep away from high temperature environment and point-blank sunshine.

4. Battery Safety Precautions

- 1) Be sure to carefully read the user manual before using this product.
- 2) Ignore the following instructions may cause battery overheating, burning, explosion, damages the performance and reduce the product life.
 - ① Do not allow water, sea water from entering or leaking into the battery inside. If the battery internal safety device burn, when charging it, it may produce abnormal current, voltage, and chemical reaction to cause the battery overheating, burning and explosion.
 - ② Do not use or place the battery nearby the stove or other high temperature places. Excessive heat may damage the resin shell or the insulation materials, thereby cause short-circuit inside the battery and result the battery overheating, burning and explosion.
 - ③ When charging, use a specified charger. Other conditions (high temperature, high pressure/high current, using the modified battery charger, etc.) excluded here may result in over-charging the battery and abnormal current or voltage, cause abnormal chemical reaction, and may cause the battery overheating, burning or explosion.
 - ④ Do not make the battery contact with the power outlet or car cigarette lighter socket. This may cause high pressure and excessive current, and lead the battery overheating, burning or explosion.
 - ⑤ Do not heat the battery or put the battery into fire. This may melt insulation material and damage safety devices or safety equipment, then ignite electrolytic solution, and cause the battery overheating, burning or explosion.
 - ⑥ Do not use the battery with contrary (+) and (-) location. In the charging process, this will cause the reverse charging and may cause abnormal chemical reaction. During use, may appear unpredictable current exception, and cause the battery overheating, burning or explosion.
 - ⑦ Battery clearly marks with positive and negative. When connect the battery with the charger or printer, be sure to verify the correct battery orientation. Reverse insertion will cause the reverse charging and may cause abnormal chemical reaction, and then may cause the battery overheating, burning or explosion.
 - ⑧ Do not make the battery (+) and (-) connect with any metal. Also, do not carry along or store batteries with metal objects, such as necklaces, hair clips and so on. Battery internal short circuit may cause excessive current, and lead to the battery overheating, burning or explosion and the adjacent metal objects (necklaces, hairpins, etc.) may be overheated.
 - ⑨ Do not throw or heavily attack the battery. If internal safety device of the batteries burned, the battery charging may cause abnormal current and voltage, and abnormal chemical reaction, and lead the battery overheating, burning or explosion

CHAPTER 1 BRIEF INTRODUCTION

1.1 Appearance



- 1. Printer top cover
- 2. Charge indicator
- 3. Error indicator
- 4. Power indicator
- 5. Power button
- 6. Feed button
- 7. Self-test button
- 8. Mini USB port
- 9. Power port
- 10. Battery cover

1.2 Printer accessories

Adapter



Paper roller



1500AH battery



Mini USB



Paper roller holder



Leather case(Optional)



CHAPTER 2 SPECIFICATIONS

ITEM		Parameter
Printing	Printing method	Thermal dot line printing
	Resolution	203dpi, 8dots/mm
	Printing speed (Max)	70mm/s
Printing	Width	58mm
	Valid printing width	48mm
	Paper roller diameter	≤50mm
	Paper thickness	60~80μm
	Loading	Easy loading mechanism
Interface		Bluetooth and USB
Command sets		Compatible with ESC/POS
Character Set	Font	ASCII:9×17,12×24; Multiple code pages support
Barcode Symbologies	1D	UPC-A, UPC-E, EAN8, EAN13, CODE39, ITF, CODEBAR, CODE128, CODE93
	2D	QR code
Graphics		Support bitmap printing with different density and user defined bitmap printing (Max. 40K for per bitmap, and Max. 64K for total)
Detection	Sensors	Paper out/ low battery/ printer cover open
LED indicator	Power	Power red
		Power blue
	Feed	Feed yellow
		Feed blue
Charging	Charger	1) 12V/1A adapter
	Battery	1500mAh/7.4V rechargeable Li-ion battery. Full charge can print 300~350m (printing density not more than 12.5%) or 250~300mm (printing density not more than 25%)
Physical characteristics	Working condition	-10°C~70°C , 20%~85%RH
	Storage condition	-10°C~70°C, 20%~85%RH
	Dimension	124*85*57mm(W*D*H)
	Weight	282g (without paper roll)
Software	Emulation	ESC/POS compatible command set
	Driver	Windows XP//Win7/Win8/Win10

CHAPTER 3 OPERATION METHODS

3.1 Basic Functions

3.2.1 Power On

The printer is power on by pressing the **【POWER】** button lasting for about 2 seconds, and the power indicator is bright in red color.

Notice: when the battery is almost exhausted, the status indicator blinks in blue color. In this case, you must charge the battery.

3.2.2 Power Off

The printer is power off after holding down the **【POWER】** button for about 2 seconds. All the indicators are off when the printer is off

3.2.3 Self-test

The self-test indicates the printer's current settings, status and whether the printer has any problem. Hold down the **【FEED】** button while press **【POWER】** button about 2 seconds, the self-test begins. The printer is ready to receive data as soon as it completed self-test.

3.2.4 Paper Feeding (Manual paper feeding)

Users could use **【FEED】** button to feed paper manually when printer on normal working status. When the printer feed paper for 250mm and there is black mark on paper be recognized, the printer will stop feeding paper.

3.2.5 Battery Charging

Before the battery runs out of power, the printer will alarm and the blue LED indicator will flash slowly. It will power off automatically when continues printing. Charging Method: ① Connect the power charger to the power connector of the printer. ② Plug the power charger into an electrical outlet (Printer could be in use when charging). Power-off/Power-on charging: LED light will always indicate green color and goes off when fully charged.

NOTE: Please use the original battery and power charger, otherwise printer may be damaged or even cause explosion.

3.2 Printer connecting and Printing

- ① Under Android terminal: Turn on the Bluetooth in the terminal to search for the right printer and input the password "0000" to connect and do the print (Support Android4.0 and above).
- ② Under IOS terminal: Turn on the Bluetooth in the terminal to search for the right ②printer, and input the password "0000" to connect and do the print (Support iphone4S, Ipad2 version and above).
- ③ Windows terminal, using mini USB to connect the printer and the PC, install driver and printer software in PC, choose the right printer to print (Ask for the driver and software from your supplier).

3.3 LED Indicator and Buzzer Definition

When the battery capacity lower than 6.8V, the printer will tweeting continuously. Only when plug in charger to charge the printer that it will stop tweeting. When battery capacity lower than 6.4V, the printer will power off. When the printer under charging and the paper out, error indicator light blue and green will blink alternately.

When pressing [Power] and [Feed] button to power on the printer and also the printer is paper out at the same time, the printer will enter into Hex Dump mode. At this time Charge red indicator light is on, Charge blue indicator light and Error indicator blue & green light will blink alternately, buzzer tweeting 3times, after 2second tweeting 3 times again. If you input paper roller, the printer will stop tweeting and will print out “Hexadecimal Dump, to terminate hexadecimal dump, please turn off the printer” automatically.

Printer Status	BT Status	Charge silk-screen		Error silk-screen		Buzzer	Marks
		BT blue light	Power red light	Error blue light	Charge green light		
On	Initialization failure	Blink	on			Tweeting 1 time	
Stand by	Disconnected		on				
	Connected	on					
Charging	Disconnected		on		Blink	Tweeting 1 time	Green light off after full charged
	Connected	on					
Cover open	Disconnected		on	Blink		Tweeting 1 time	light blue and green blink alternately
	Connected	on		Slowly		in every 2 seconds	
Paper out	Disconnected		on	on		Tweeting 3 time	light blue and green blink alternately
	Connected	on				in every 2 seconds	
Low voltage	Disconnected		on		Blink	Tweeting 3 times in every half seconds	Stop weeting
	Connected	on					
High Temperature	Disconnected		on	Blink fast			
	Connected	on					
Revise		Blink	on	Blink	Blink		blink alternately
F.Wupgrade		on	on	on	on		
Sleep mode			Blink Slowly				BT connected or paper out can't enter sleep mode
Power off					Charging green light on	Tweeting 2 time2	Green light off after full charged
Notes	Purper light will appea when Bluetooth blue light and power red light on at the same time.						